



GE Lighting

TRIAD

B332I277HPL/Ultra



APPLICATION and PERFORMANCE SPECIFICATION

Description: High frequency electronic ballasts for 3 F32T8 lamps (and others as indicated below)

¥ Line Voltage: 277vac, -10%, 60Hz

¥ Instant Start

¥ Parallel Lamp Operation

¥ Active Power Factor Correction

Lamps		Input Watts	Nominal Line Amps	Power Factor	Ballast Factor	Ballast Efficacy Factor	Harmonic Total	Crest Factor
Type	#							
F32T8	3	73	0.26	> .99	.78	1.07	< 10%	< 1.7
F32T8	2	55	0.20	> .98	.87	1.58	< 10%	< 1.7
F25T8	3	56	0.20	> .98	.79	1.41	< 10%	< 1.7
F17T8	3	40	0.15	> .98	.80	2.00	< 15%	< 1.7

Application and Performance Specification Information Subject to Change without Notification.

Performance:

¥ Meets ANSI Standard C82.11-1993

¥ Meets ANSI Standard C62.41-1991

¥ Meets FCC Part 18 (Class A) for EMI and RFI

Non-Consumer Limits

Safety:

¥ No PCB's

¥ UL listed (Class P, Type 1 Outdoor)

¥ CSA Certified

Application:

¥ Minimum Starting Temperature: 0_iF, -18_i C

¥ Maximum Ambient Temperature: 105_i F, 40_i C

¥ Sound Rated: A

¥ Remote Mounting: 18 ft. max. lead length, 18 AWG

Physical Parameters

Length: 9.50"

Width: 2.40"

Height: 1.55"

Weight: 2.3 lbs.

Lead Length: White, Black 25" (- 1")

Red 48" (- 1")

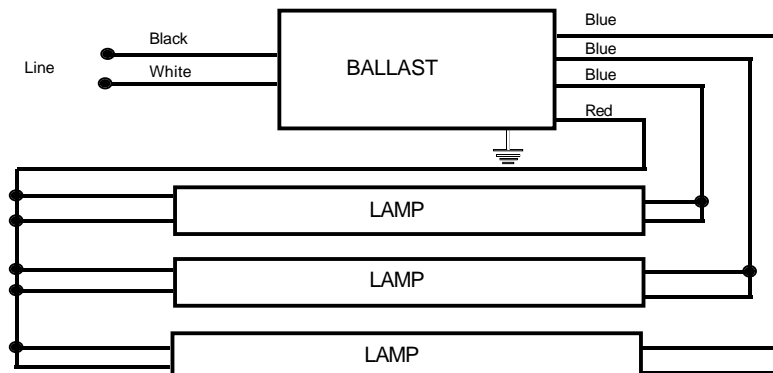
Blue 31" (- 1")

Warranty:

MagneTek, Inc., warrants to the purchaser that each electronic ballast will be free from defects in material or workmanship for a period of 5 years from date of manufacture when properly installed and under normal conditions of use.

Energy Engineered™

Manufactured in North America



Ballast Must be Grounded

Note: For two lamp application, cap any blue lead, insulate to 600 volts