

AQUALITE™ SERIES



METAL HALIDE LAMPS FOR AQUARIUMS

USHIO Aqualite™ Metal Halide lamps feature the best combination of color balance and color rendering quality available for aquarium and reef system lighting.

The Aqualite™ lamps have a high color temperature from a single point source which simulates the appearance of sun light in ocean depths of approximately 5 meters. The superior spectrum balance of the Aqualite™ lamps make for ideal lighting conditions for reef systems including fish, coral and other marine fauna and flora.

Available in Double Ended 75W, 150W, 250W; Single Ended 175W, 250W, 400W, 1000W with a color temperature of 10,000K



FEATURES & BENEFITS

- High color temperature — 10000K
- Excellent color rendering — 90 CRI
- Superior spectrum balance
- High color stability
- High intensity
- Made in Germany

APPLICATIONS

- Marine aquariums
- Terrariums
- Salt water reefs; hard corals
- Plants
- Fountains
- Waterscape
- Pools

Distributed by:

hi-Tech lamps

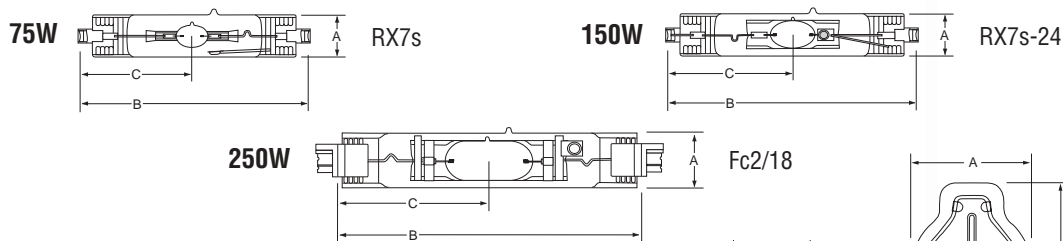
800-229-6509

info@hi-techlamps.com

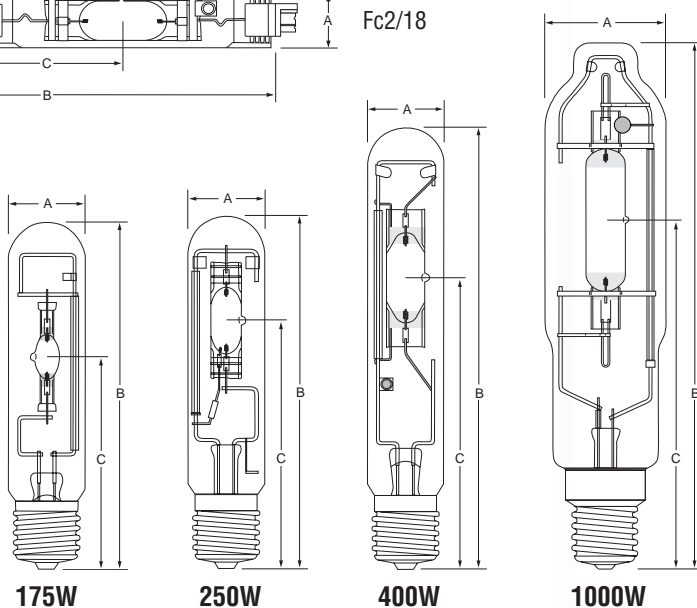
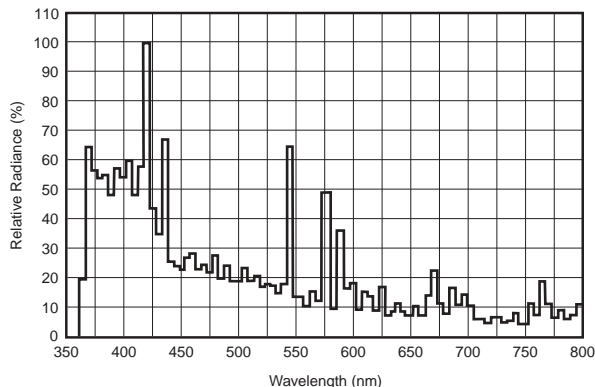
CHARACTERISTICS & SPECIFICATIONS

Chromaticity Coordinates:

x = 0.285
y = 0.275



1000W • 10000K
SPECTRAL DISTRIBUTION



Watts (W)	Ushio Ordering Code	Ushio Lamp Code	Lamp Current (A)	Luminous Flux (lm)	CRI	Dimensions			Avg Life (h)	Ballast
						Dia (A)	MOL (B)	LCL (C)		

DOUBLE ENDED — RX7s & Fc2/18 BASE

75	5000870	UHI-70AQ	0.9	3100	80	20	114.2	57	6000	M85**
150	5000440	UHI-150AQ	1.8	7000	90	23	132.0	66	6000	M81**
250	5000763	UHI-250AQ	3.0	10500	90	25	139.0	69.5	6000	M80**

SINGLE ENDED — E39 BASE

175	5000761	UHI-S175AQ	1.5	7500	90	46	211	127	6000	M137*
250	5001070	UHI-S250AQ	3.0	11000	90	46	225	150	8000	M58
400	5000760	UHI-S400AQ	4.0	18500	90	46	275	175	8000	M135*
1000	5000910	UHI-S1000AQ	9.5	50000	90	76	340	220	3000	M83**

Burn Position: Double Ended: Horizontal ± 45°
Single Ended: Universal 360°
(1000W): Horizontal ± 60°

All dimensions are in millimeters

Case quantity: Double Ended: 10/case
Single Ended: 12/case; 1000W 6/case

Recommended Ignition Voltage: 4kV

*Pulse type ballast with ignitor **Need ignitor with 4kV
Lamp should be switched off for at least 15 minutes/week
Enclosed fixture rated

!Use only in fixtures installed with tempered safety glass
!For architectural use — UV protective glass is necessary



Aqualite™ Metal Halide lamps are manufactured under ISO 9001 guidelines ensuring quality and security for the purchaser

Form No. S-UHI/AQ-0802

The specifications on this sheet supercede all previously published specifications and may be subject to change for design and specification improvement without prior notice.