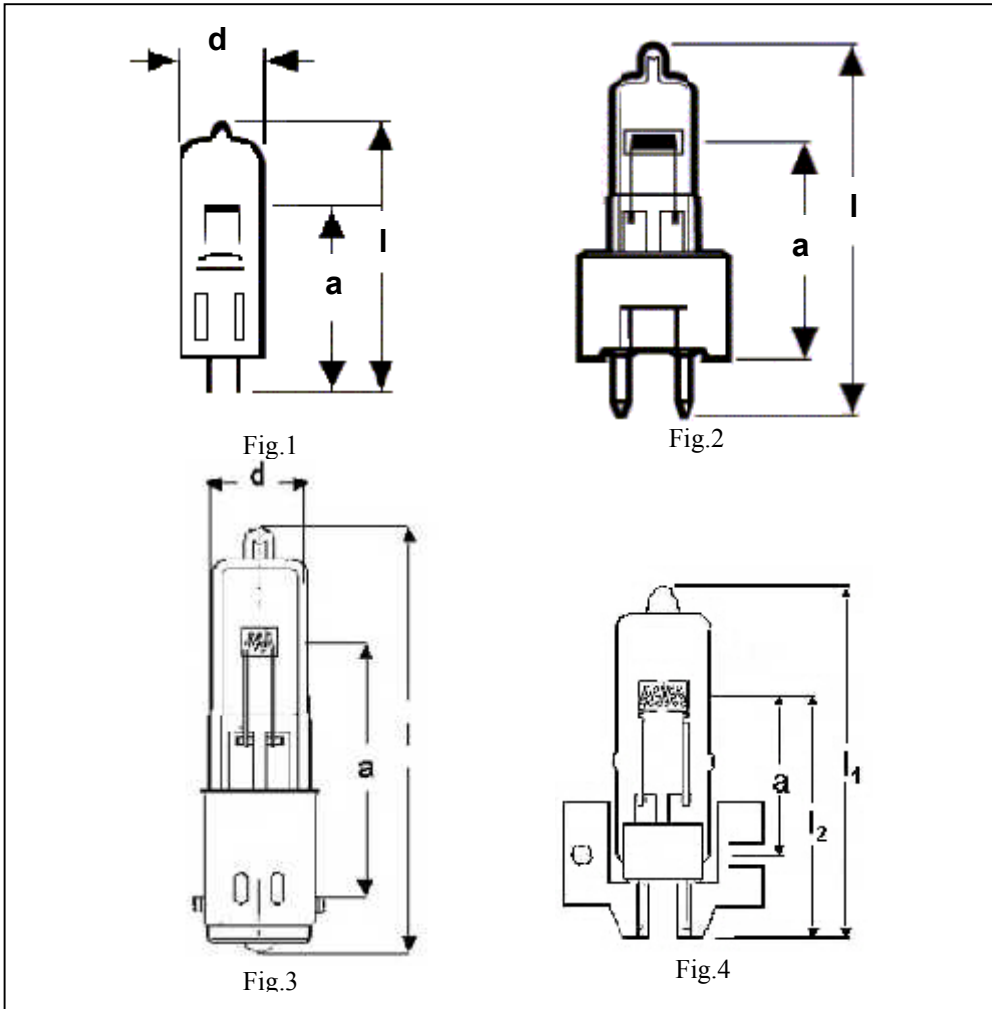


Product Information Bulletin

Medical Overhead Halogen Lamps

Tungsten Halogen Low to Medium Voltage Lamps



Medical Overhead Halogen Lamps
(NAED 54466, 58941, 58939,
58729, 54054, 54056, 54047,
54136, 53998)
Tungsten Halogen Low to Medium
Voltage Lamps

- HLX XENOPHOT® versions
- SE/Rim Mount Types
- Long life version

Application Information

Applications:

Medical Overhead

- Hospital
- Doctor
- Dentist
- Examining/clinic

Fixtures:

- Getinge/Castle
- Amsco/Steris
- Berchtold
- Burton
- Midmark
- Hill Rom
- Skytron
- ALM

Technical Data

Lamp / order reference	NAED	Rated wattage (W)	Rated voltage (V)	Luminous flux (lm)	LCL a (mm)	MOL l (mm)	Diameter d (mm)	Base	Bulb	Average service life (hrs)	Operating position	Fig. Num.
120/T4/SPECIAL 24V	54466	120	24	2,750	33.7	50	22.2	Special	T4	500	s90	4
235T4Q/2PPF	58941	235	33	5,800	39.1	66	12.7	GZ9.5	T4	200	Any	2
220T4Q/2PPF	58939	220	22	6,200	39.1	66	12.7	GZ9.5	T4	200	Any	2
60T4QCL	58729	60	24	1,280	37.1	63.8	14.4	BA15D	T4	500	Any	3
64642/HLX (FDV)	54054	150	24	5,000	32	50	13.5	G6.35 Bipin	T4	300	s90	1
64650	54056	50	22.8	1,000	30	44	13	G6.35 Bipin	T4	1,300	Any	1
64657/HLX (EVC)	54047	250	24	9,000	33	55	13.5	G6.35 Bipin	T4	300	s90	1
64654 HLX	54136	250	24	9,000	35	88	13.5	GY9.5 Bipin	T6	300	s90	1
64638 HLX	53998	100	24	2,900	30	50	13	GY6.35 Bipin	T3	300	Any	1