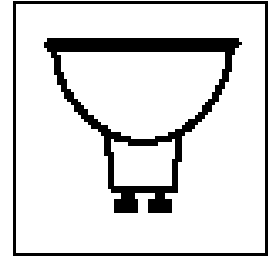




Hi-Tech LAMPS  
 800-229-6509  
 info@hi-techlamps.com

AMP BASE:  
 GU-7  
 TURN & LOCK  
 GU-7



TAL LAMPHOLDER



# BE-TAL-GU7

The BE-TAL-GU7 (Turn & Lock) Lampholder is designed to the ANSI Codes and International Standards. Lampholders are UL and CSA recognized.

For MR-16 Reflector Lamps with GU-7 Turn & Lock Bases.

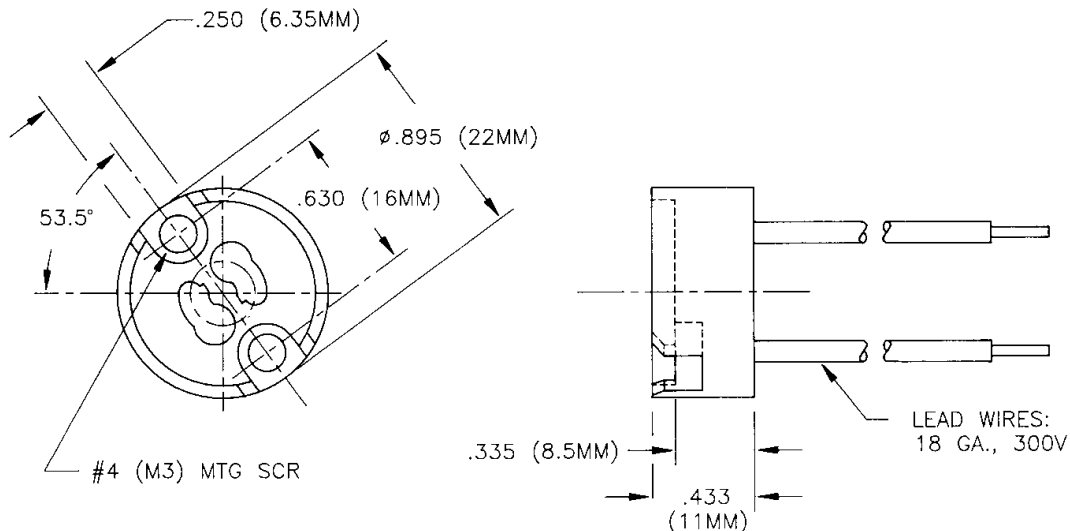
## Features:

- Ratings:** Volts 50  
Amps 10
- Lead Wire:** 200°C Silicon Glass SF-1 (Standard)  
BE-250°C PTFE (Special)
- Construction:** Ceramic Body  
Nickel Contacts  
Mica Backing  
Optional Lead Lengths and Wire Types

### BE-TAL-GU-7

- Turn & Lock
- Double Contact Lampholder

*Note: For 100 watts and greater, ample convection or forced air flow is required to prevent socket damage. Lamp Pins should not exceed 225°C to prevent lamp failure. Consult factory for assistance.*



## BE-TAL-GU7 TURN & LOCK LAMPHOLDER



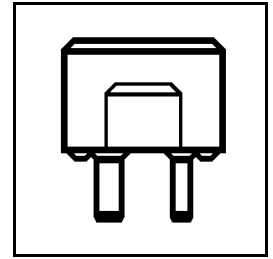
Hi-Tech lamps

800-229-6509

info@hi-techlamps.com

LAMP BASES:  
GY-9.5, GZ-9.5

2-PIN PREFOCUS  
GY-9.5 & GZ-9.5



**HALOGEN 2 PIN  
PREFOCUS LAMPHOLDERS**



**QCJ-6, 6R, 6L**

The QCJ Lampholder is designed to the ANSI Codes and International Standards. Lampholders are UL and CSA recognized.

- QCJ-6** No Ejector
- QCJ-6R** Ejector on Right (Small Lamp Pin Side)
- QCJ-6L** Ejector on Left (Large Lamp Pin Side)

**Features:**

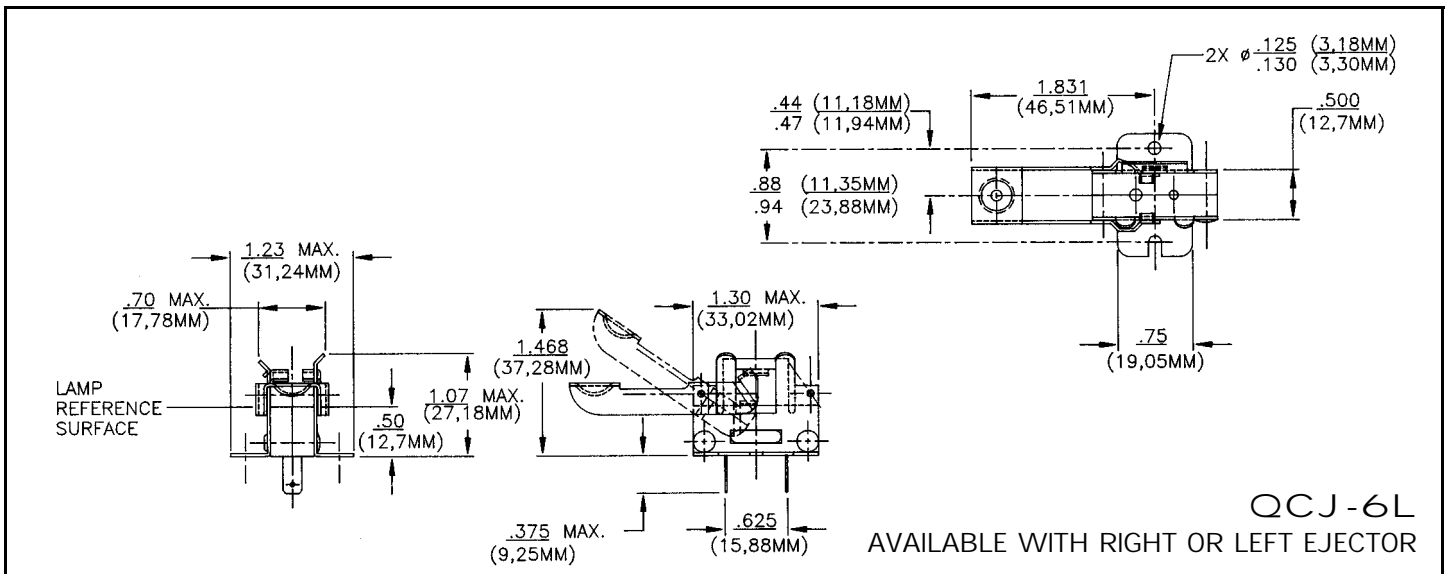
**Ratings:** Volts 300  
Amps 10  
Watts 750  
Temp 200°C

**Lead Wire:** Push Lock Terminal  
.187 x .020 Inches  
Minimum 150°C Rated  
Insulation Required  
Optional Welded Leads

**Construction:** Steatite Body  
Silver Plated, Beryllium  
Copper Contacts  
Stainless Steel Housing

**QCJ-6L**

*Note: For 100 watts and greater, ample convection or forced air flow is required to prevent socket damage. Lamp Pins should not exceed 225°C to prevent lamp failure. Consult factory for assistance.*





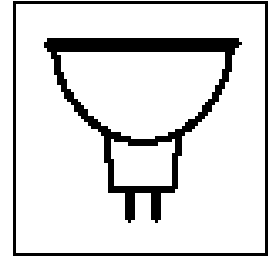
hi-Tech lamps

800-229-6509

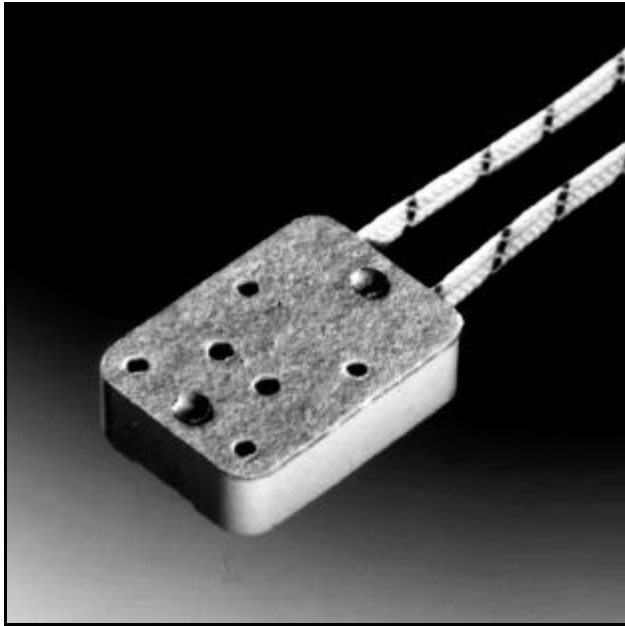
info@hi-techlamps.com

LAMP BASE:  
GX-5.3

2-PIN  
(ROUND PINS)  
GX-5.3



LOW VOLTAGE  
HALOGEN LAMPHOLDER



# QCX-5S

The QCX-5S Low Voltage Lampholder is designed to the ANSI Codes and International Standards. Lampholders are UL and CSA recognized.

## Features:

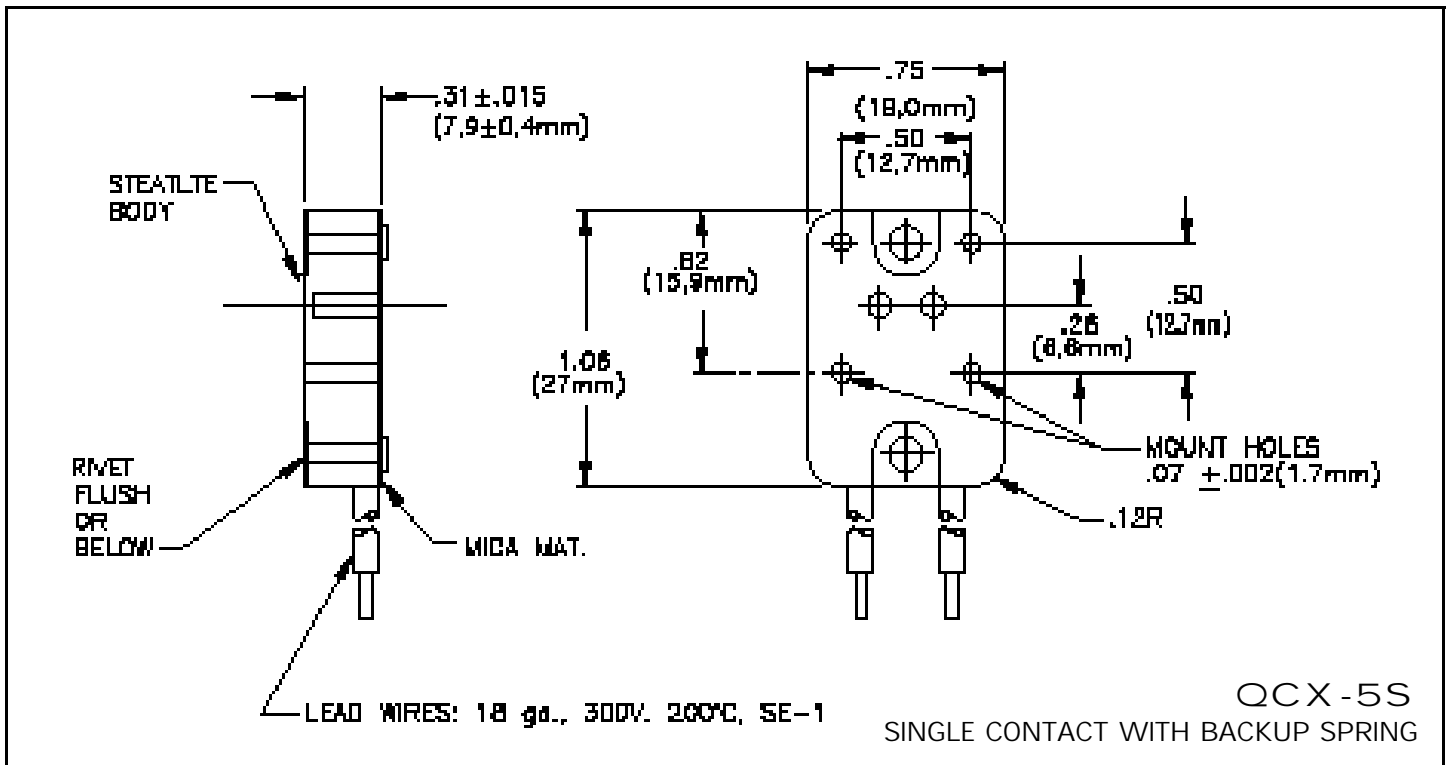
**Ratings:** Volts 300  
Amps 12  
Watts 450  
Temp 300°C (on socket parts)

**Lead Wire:** 200°C Silicone Glass SF1  
#18 ga. (Standard)  
250°C PTFE (Special)

**Construction:** Steatite Body  
Nickel Contacts  
Stainless Steel Contact Spring  
Mica Cover

## QCX-5S

Note: For 100 watts and greater, ample convection or forced air flow is required to prevent socket damage. Lamp Pins should not exceed 225°C to prevent lamp failure. Consult factory for assistance.





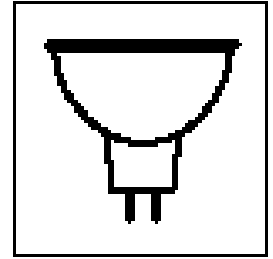
Hi-Tech LAMPS

800-229-6509

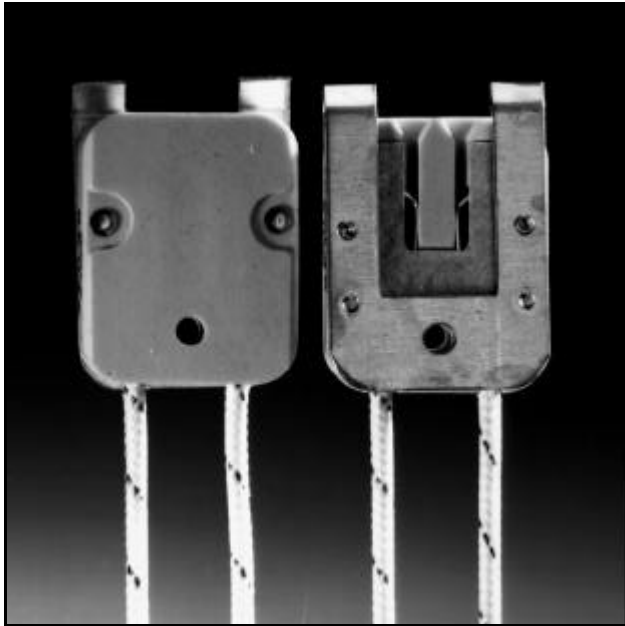
info@hi-techlamps.com

LAMP BASE:  
GY-5.3

2-PIN  
(FLAT PINS)  
GY-5.3



## HIGH VOLTAGE HALOGEN LAMPHOLDER



### QE H

Note: For 100 watts and greater, ample convection or forced air flow is required to prevent socket damage. Lamp Pins should not exceed 225°C to prevent lamp failure. Consult factory for assistance.

## QE H

The QE H High Voltage Lampholder is designed to the ANSI Codes and International Standards. Lampholders are UL and CSA recognized.

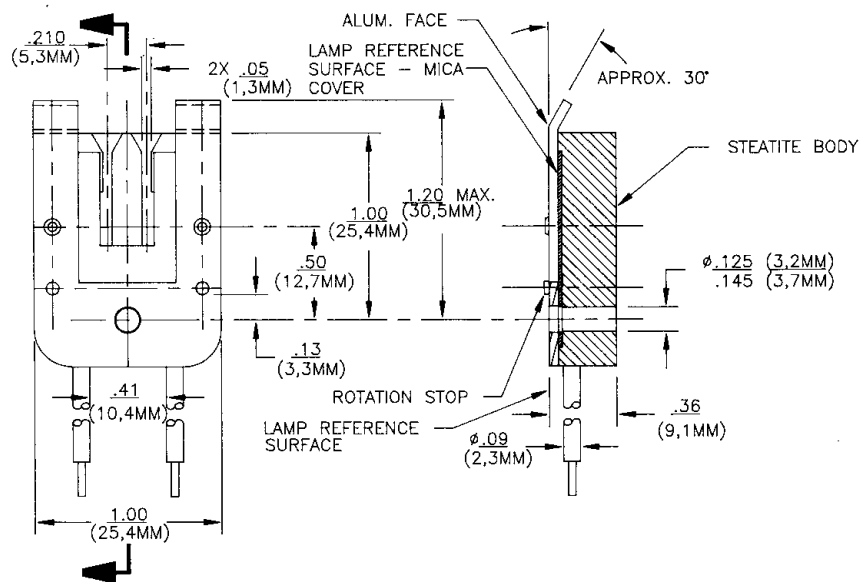
For MR-16 Reflector Lamps with Flat Pins.

### Features:

**Ratings:** Volts 300  
Amps 12  
Watts 750  
Temp 250°C (on socket parts)

**Lead Wire:** 200°C SF1 (Standard)  
#18 ga. 250°C PTFE (Special)

**Construction:** Steatite Body  
Silver Plated Brass Contacts  
(Standard)  
Nickel Plated Contacts Available  
Stainless Steel Contact Springs  
Aluminum Face Plate



QE H



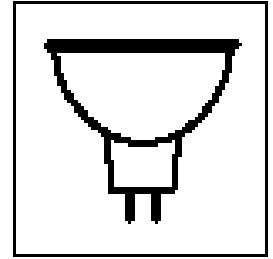
hi-Tech LAMPS

800-229-6509

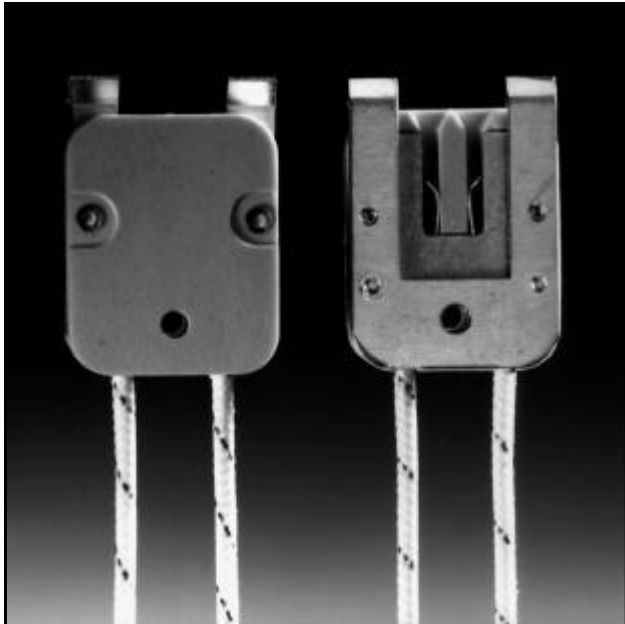
info@hi-techlamps.com

LAMP BASE:  
GX-5.3

2-PIN  
(ROUND PINS)  
GX-5.3



**LOW VOLTAGE  
HALOGEN LAMPHOLDER**



**QEL**

*Note: For 100 watts and greater, ample convection or forced air flow is required to prevent socket damage. Lamp Pins should not exceed 225°C to prevent lamp failure. Consult factory for assistance.*

**QEL**

The QEL Low Voltage Lampholder is designed to the ANSI Codes and International Standards. Lampholders are UL and CSA recognized.

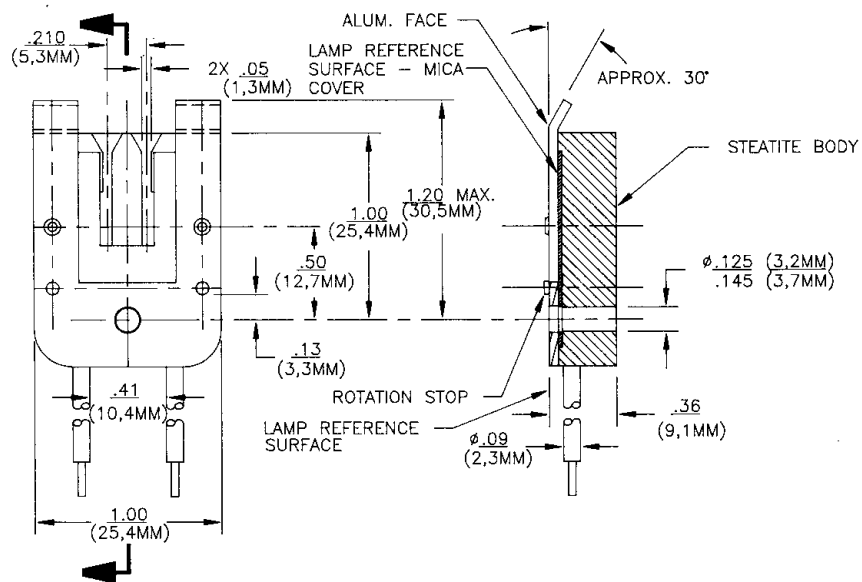
For MR-16 Reflector Lamps Type with Round Pins.

**Features:**

**Ratings:** Volts 60  
Amps 12  
Watts 400  
Temp 250°C (on socket parts)

**Lead Wire:** 200°C SF1 (Standard)  
#18 ga. 250°C PTFE (Special)

**Construction:** Steatite Body  
Silver Plated Brass Contacts  
(Standard)  
Nickel Plated Contacts Available  
Stainless Steel Contact Springs  
Aluminum Face Plate



QEL

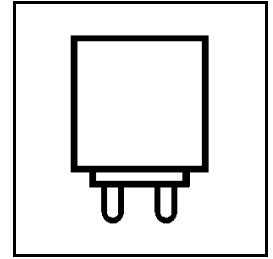


hi-Tech lamps

800-229-6509  
info@hi-techlamps.com

LAMP BASE:  
G-9.5

MEDIUM 2-PIN  
G-9.5



## HALOGEN MEDIUM 2 PIN G-9.5 LAMPHOLDER



# QE W-2

The QE W-2 Lampholder is designed to the ANSI Codes and International Standards. Lampholders are UL and CSA recognized.

## Features:

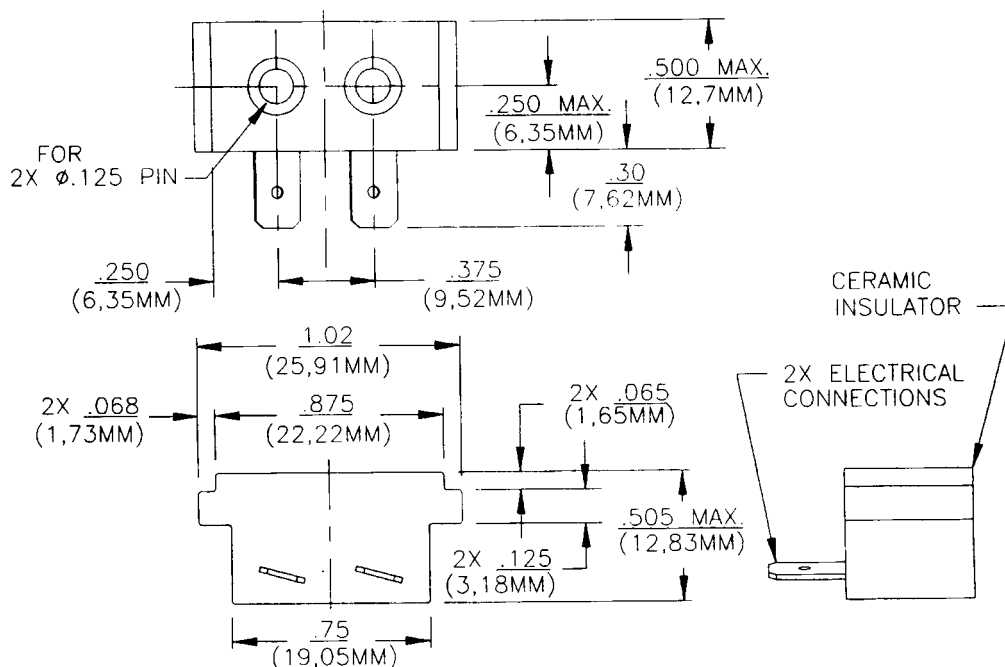
**Ratings:** Volts 300  
Amps 10  
Watts 1000  
Temp 300°C (on socket parts)

**Terminals:** Push Lock Terminal  
.187 x .020 Inches  
Welded Leads Optional

**Construction:** Steatite Body  
Nickel Contacts

## QE W-2

*Note: For 100 watts and greater, ample convection or forced air flow is required to prevent socket damage. Lamp Pins should not exceed 225°C to prevent lamp failure. Consult factory for assistance.*



QE W-2  
OPTIONAL BRACKETS AVAILABLE

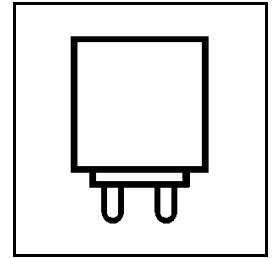


Hi-Tech lamps

800-229-6509  
info@hi-techlamps.com

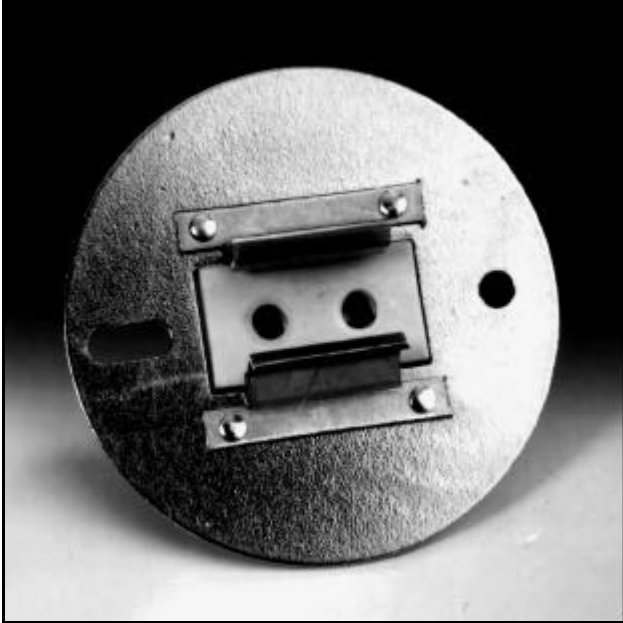
LAMP BASE:  
G-9.5

MEDIUM 2-PIN  
G-9.5



**HALOGEN MEDIUM 2 PIN  
G-9.5 LAMPHOLDER**

**NEW!  
QEW-21**



The QEW-21 Lampholder is designed to the ANSI Codes and International Standards. Lampholders are UL and CSA recognized.

**Features:**

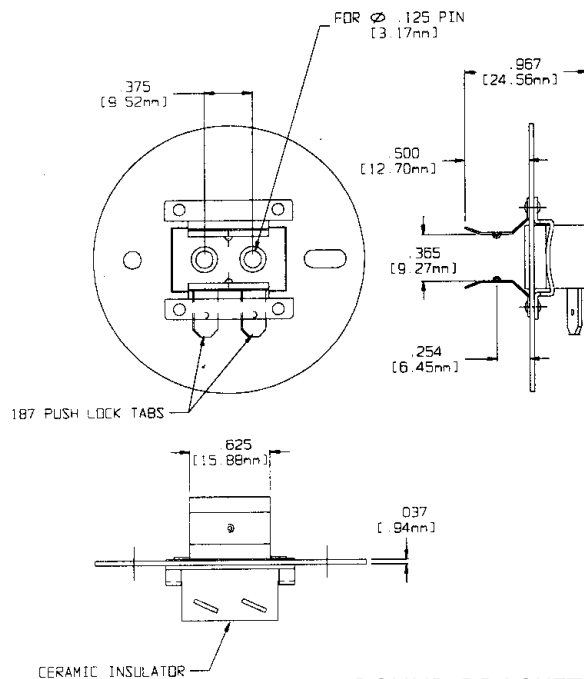
**Ratings:** Volts 300  
Amps 10  
Watts 1000  
Temp 300°C (on all parts)

**Terminal:** Push Lock Tab  
0.187 x .020 Inches  
Welded Leads Optional

**Construction:** Steatite Body  
Nickel Alloy Contacts  
Plated Steel Bracket  
Stainless Steel Spring Clips

**QEW-21**

*Note: For 100 watts and greater, ample convection or forced air flow is required to prevent socket damage. Lamp Pins should not exceed 225°C to prevent lamp failure. Consult factory for assistance.*



**QEW-21  
ROUND BRACKET WITH DIMPLED SPRING CLIPS**

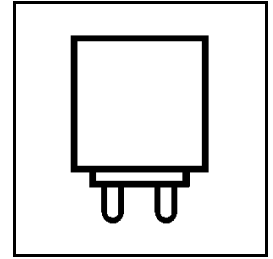


Hi-Tech lamps

800-229-6509  
info@hi-techlamps.com

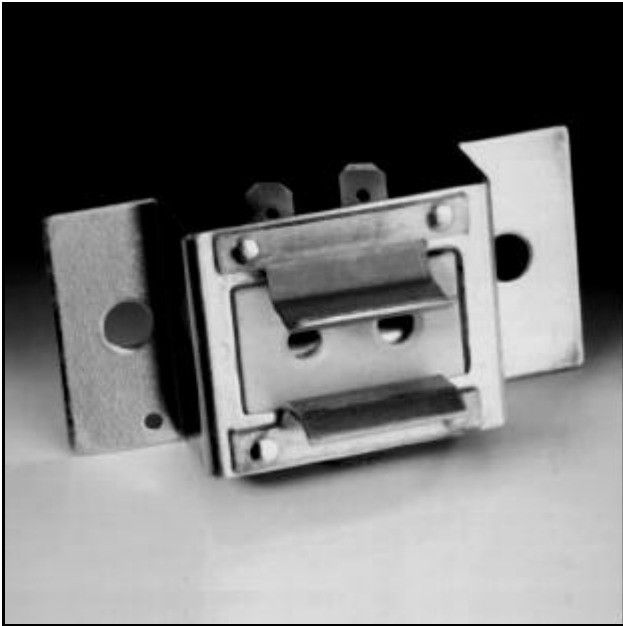
LAMP BASE:  
G-9.5

MEDIUM 2-PIN  
G-9.5



## HALOGEN MEDIUM 2 PIN G-9.5 LAMPHOLDER

# NEW! QEW-22



The QEW-22 Lampholder is designed to the ANSI Codes and International Standards. Lampholders are UL and CSA recognized.

### Features:

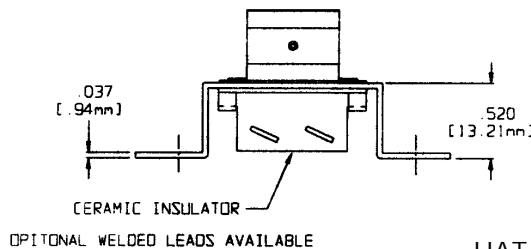
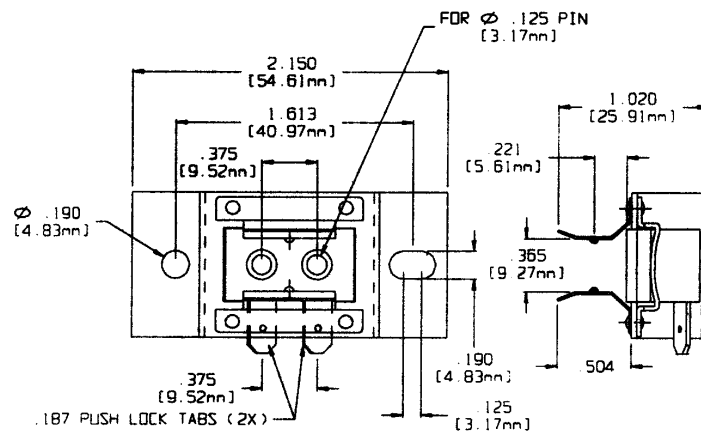
**Ratings:** Volts 300  
Amps 10  
Watts 1000  
Temp 300°C (on all parts)

**Terminal:** Push Lock Tab  
0.187 x .020 Inches  
Welded Leads Optional

**Construction:** Steatite Body  
Nickel Alloy Contacts  
Plated Steel Bracket  
Stainless Steel Spring Clips

### QEW-22

Note: For 100 watts and greater, ample convection or forced air flow is required to prevent socket damage. Lamp Pins should not exceed 225°C to prevent lamp failure. Consult factory for assistance.



QEW-22  
HAT BRACKET WITH DIMPLED SPRING CLIPS



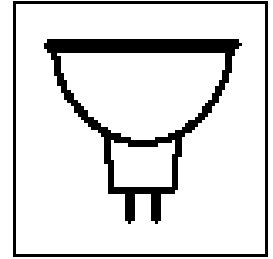
Hi-Tech LAMPS

800-229-6509

info@hi-techlamps.com

LAMP BASE:  
GY-5.3

(FLAT PINS)  
GY-5.3



**HIGH VOLTAGE  
HALOGEN LAMPHOLDER**



# QHV-1

The QHV-1 High Voltage Lampholder is designed to the ANSI Codes and International Standards. Lampholders are UL and CSA recognized.

For MR-16 Reflector Lamps with Oval Pins.

## Features:

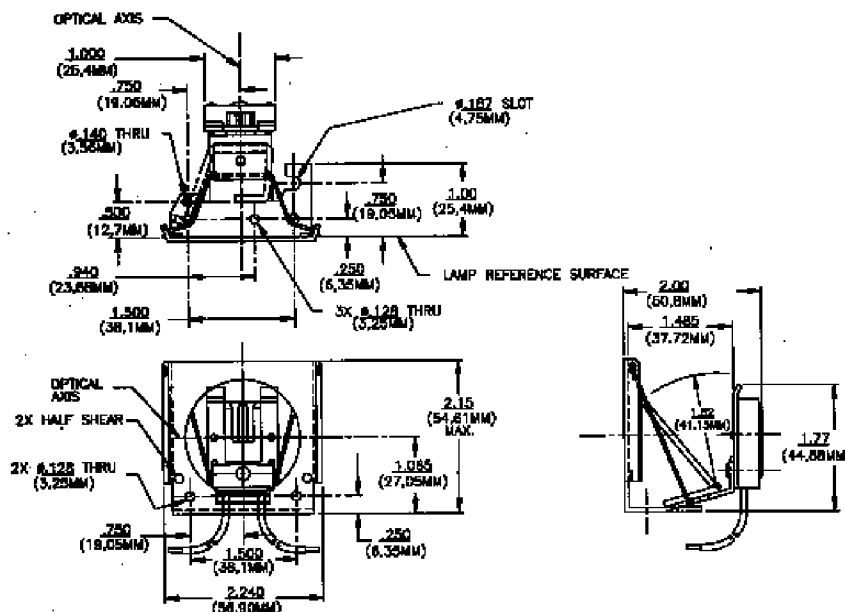
**Ratings:** Volts 300  
Amps 12  
Watts 750  
Temp 250°C (on socket parts)

**Lead Wire:** 200°C SF1 (Standard)  
#18 ga. 250°C PTFE (Special)

**Construction:** Steatite Body  
Silver Plated Brass Contacts (Standard)  
Nickel Plated Contacts Available  
Stainless Steel Contact Springs  
Nickel Plated Steel Housing  
Bright Finish Retaining Spring

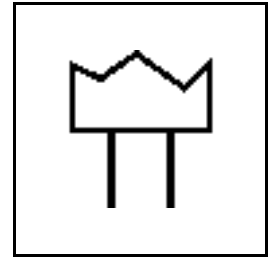
## QHV-1

*Note: For 100 watts and greater, ample convection or forced air flow is required to prevent socket damage. Lamp Pins should not exceed 225°C to prevent lamp failure. Consult factory for assistance.*

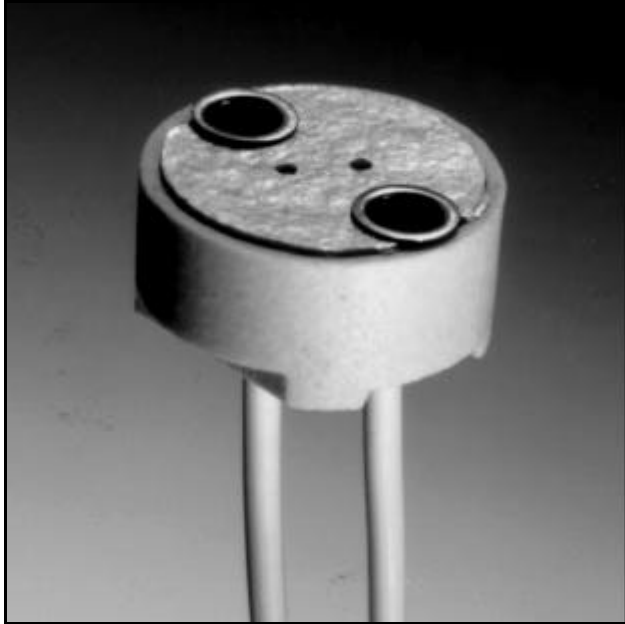


QHV-1





**LOW VOLTAGE  
HALOGEN LAMPHOLDER**



**QRX-4**

The QRX-4 Low Voltage Lampholder is designed to the ANSI Codes and International Standards. Lampholders are UL and CSA recognized.

**Features:**

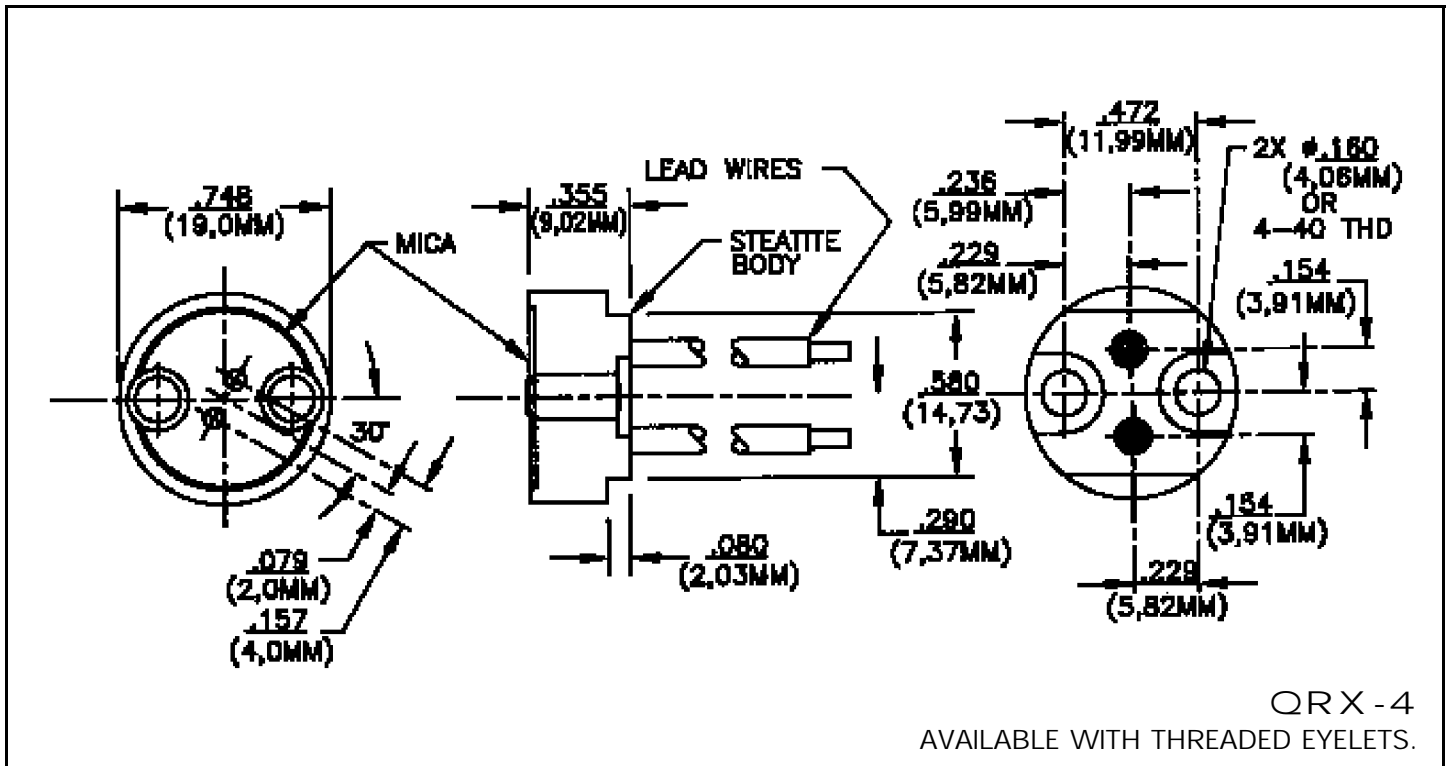
**Ratings:** Volts 125  
Amps 10  
Watts 100  
Temp 250°C (on socket parts)

**Lead Wire:** 200°C Silicon Glass SF1  
#18 ga. (Standard)  
250°C PTFE (Special)

**Construction:** Steatite Body  
Nickel Contacts  
Stainless Steel Contact Spring  
Mica Cover

**QRX-4**

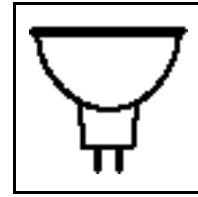
Note: For 100 watts and greater, ample convection or forced air flow is required to prevent socket damage. Lamp Pins should not exceed 225°C to prevent lamp failure. Consult factory for assistance.



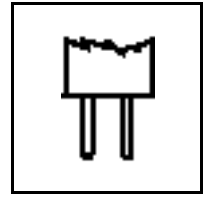


hi-Tech LAMPS  
800-229-6509  
info@hi-techlamps.com

LAMP BASES:  
GX-5.3, GY-6.35



2-PIN (ROUND PINS)  
GX-5.3, G-5.3  
(.040" DIAM. PINS)



GLASS 2-PIN (ROUND PINS)  
GY-6.35 (.050" DIAM. PINS)  
GZ-6.35 (REFLECTOR QUARTZINE LAMPS)

**LOW VOLTAGE  
HALOGEN LAMPHOLDER**



**QRX-6.35C**

*Note: For 100 watts and greater, ample convection or forced air flow is required to prevent socket damage. Lamp Pins should not exceed 225°C to prevent lamp failure. Consult factory for assistance.*

**QRX-6.35C**

The QRX Low Voltage Lampholder is designed to the ANSI Codes and International Standards. Lampholders are UL and CSA recognized.

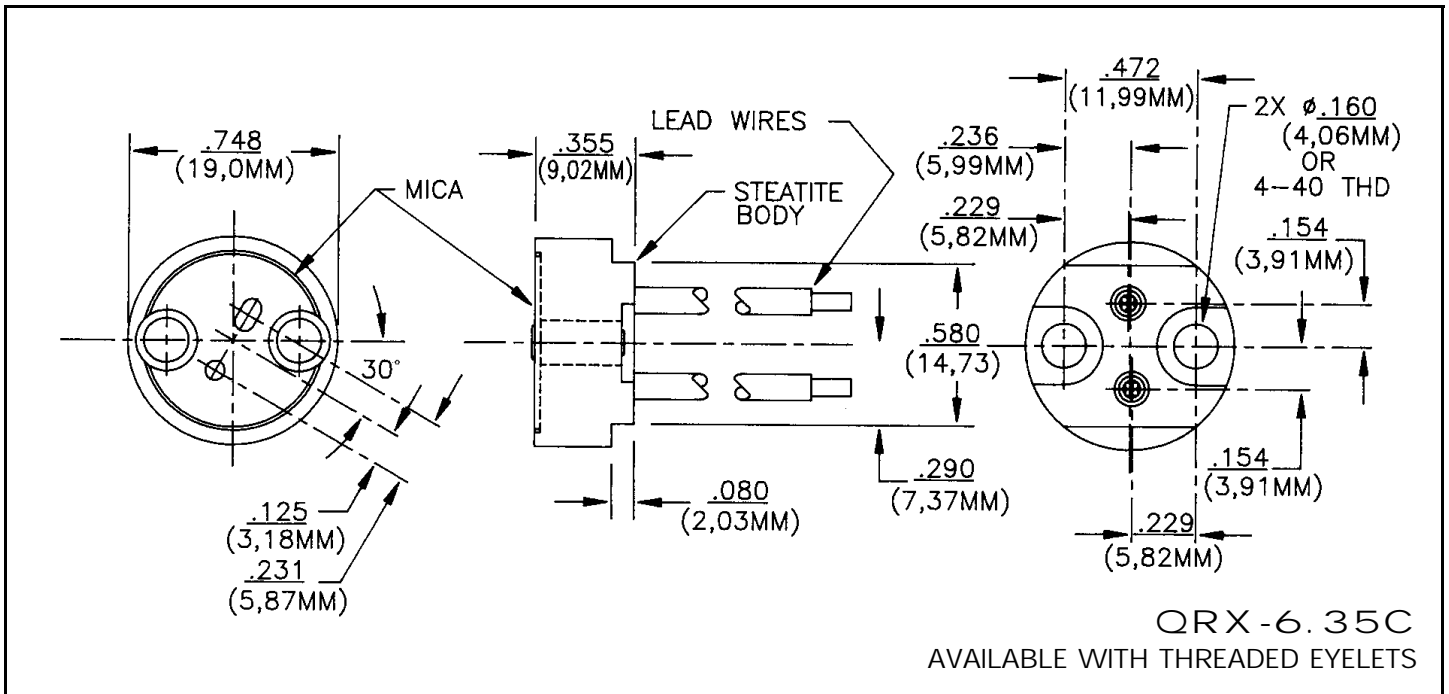
QRX-6.35C Combination Lampholder fits GX-5.3 and GY-6.35 lamp bases.

**Features:**

**Ratings:** Volts 125  
Amps 12  
Watts 400  
Temp 250°C (on socket parts)

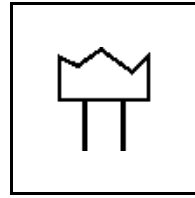
**Lead Wire:** 200°C Silicon Glass SF1  
#18 ga. (Standard)  
250°C PTFE (Special)

**Construction:** Steatite Body  
Nickel Contacts  
Stainless Steel Contact Spring  
Mica Cover

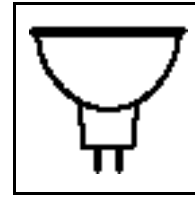




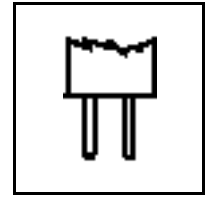
Hi-Tech Lamps  
 800-229-6509  
 info@hi-techlamps.com



2-PIN (ROUND PINS)  
 G-4, GX-4, GZ-4  
 (.028" / .040" DIAM. PINS)

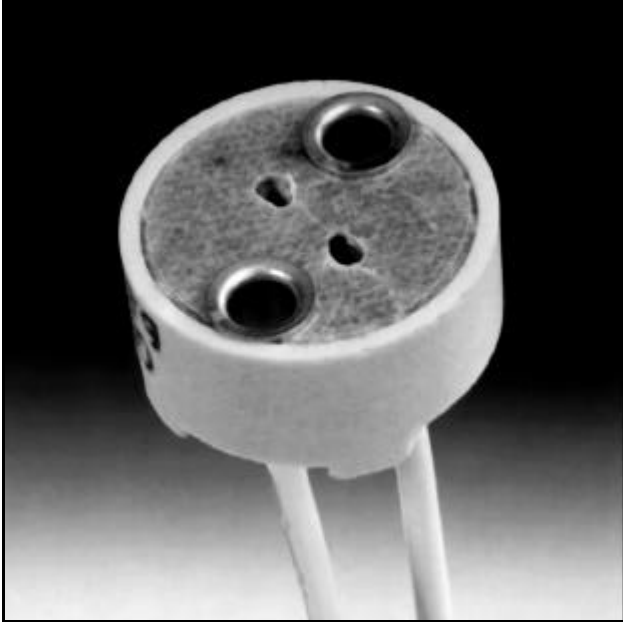


2-PIN (ROUND PINS)  
 GX-5.3, G-5.3  
 (.040" DIAM. PINS)



GLASS 2-PIN (ROUND PINS)  
 GY-6.35 (.050" DIAM. PINS)  
 GZ-6.35 (REFLECTOR QUARTZ LAMPS)

**LOW VOLTAGE  
 HALOGEN LAMPHOLDER**



**QRX-6.35CT**

Note: For 100 watts and greater, ample convection or forced air flow is required to prevent socket damage. Lamp Pins should not exceed 225°C to prevent lamp failure. Consult factory for assistance.

**QRX-6.35CT**

The QRX Low Voltage Lampholder is designed to the ANSI Codes and International Standards. Lampholders are UL and CSA recognized.

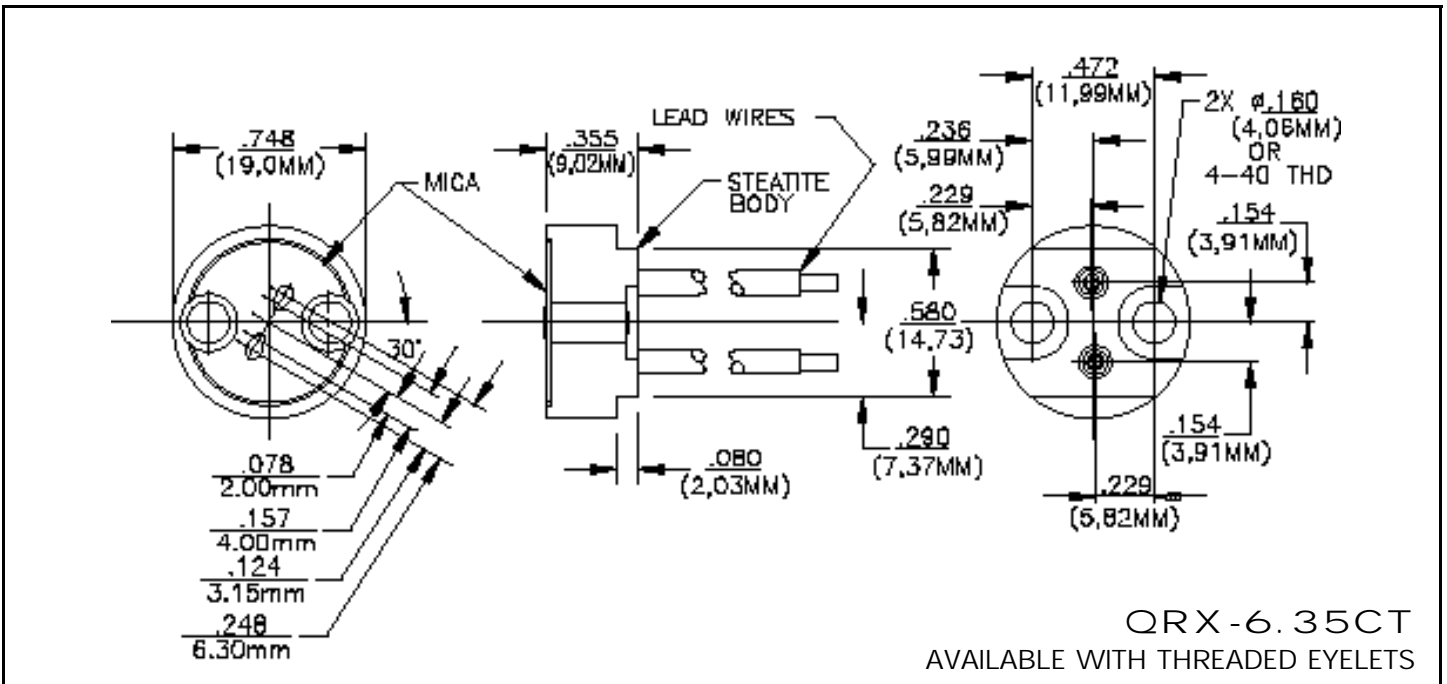
QRX-6.35CT Combination Lampholder fits G-4, G-5.3 and G-6.35 lamp bases.

**Features:**

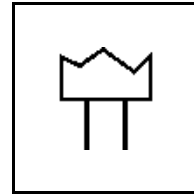
**Ratings:** Volts 125  
 Amps 12  
 Watts 400  
 Temp 250°C (on socket parts)

**Lead Wire:** 200°C Silicon Glass SF1  
 #18 ga. (Standard)  
 250°C PTFE (Special)

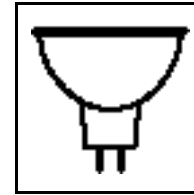
**Construction:** Steatite Body  
 Nickel Contacts  
 Stainless Steel Contact Spring  
 Mica Cover



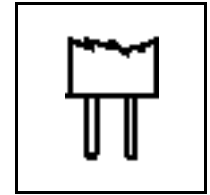
QRX-6.35CT  
 AVAILABLE WITH THREADED EYELETS



2-PIN (ROUND PINS)  
G-4, GX-4, GZ-4  
(.028" / .040" DIAM. PINS)

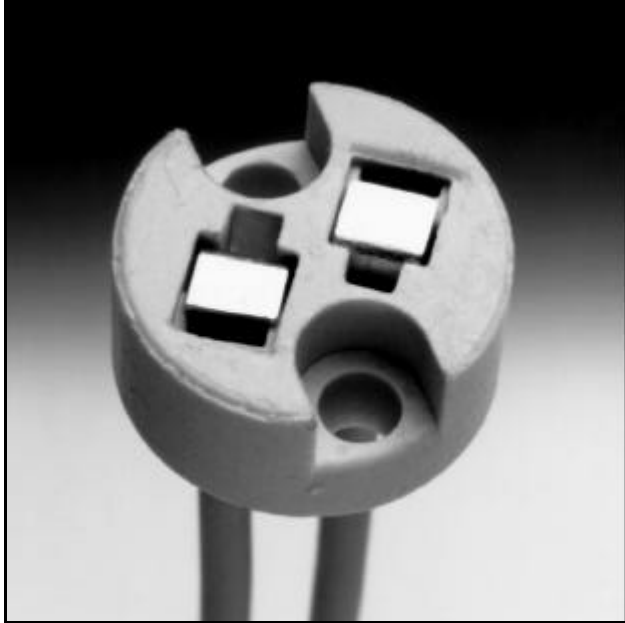


2-PIN (ROUND PINS)  
GX-5.3, G-5.3  
(.040" DIAM. PINS)



GLASS 2-PIN  
GY-6.35  
(.050" DIAM. PINS)  
(REFLECTOR QUARTZINE LAMPS)

**LOW VOLTAGE/LOW WATTAGE  
HALOGEN LAMPHOLDER**



**QRX-T**

Note: Lamp Pins should not exceed 180°C to prevent lamp failure. Consult factory for assistance.

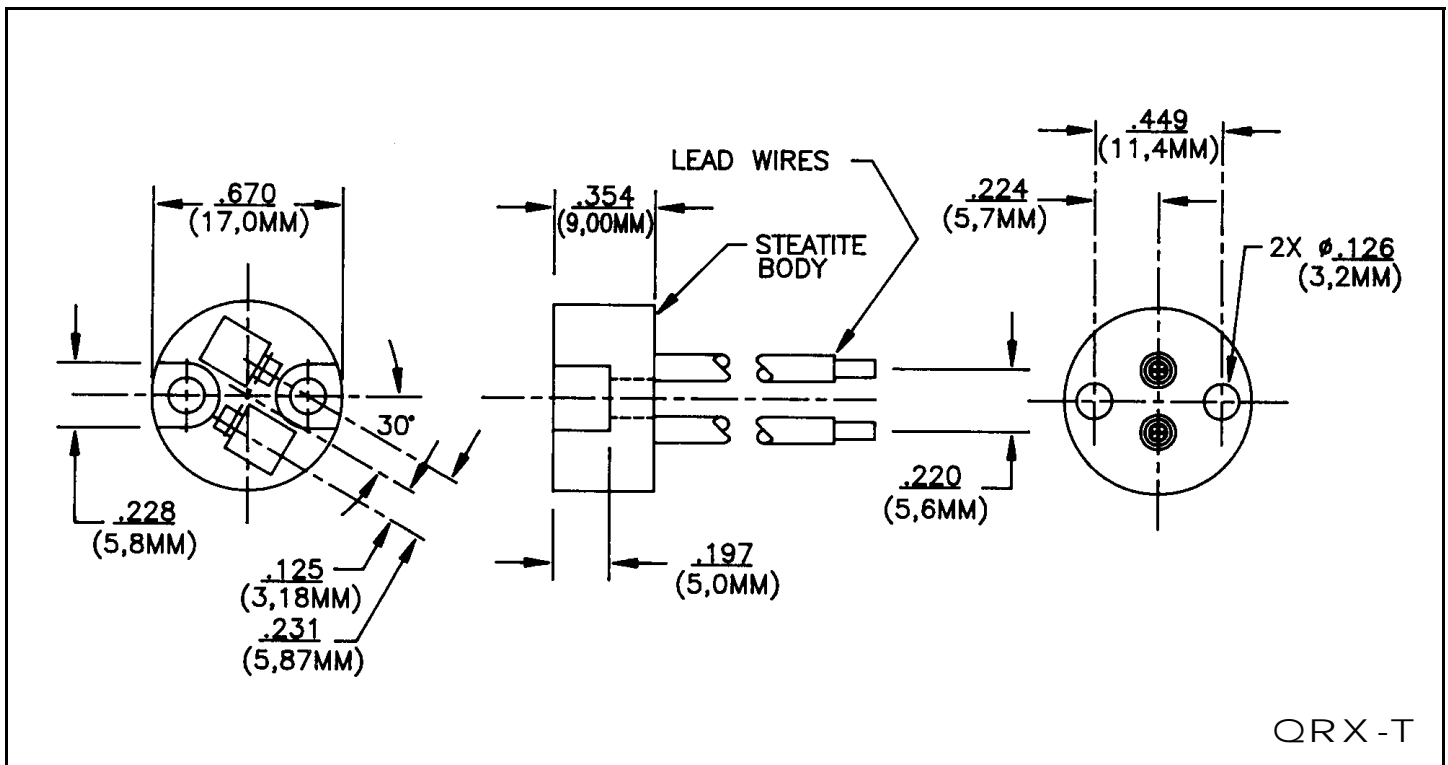
**QRX-T**

The QRX-T Low Voltage Lampholder is designed to the ANSI Codes and International Standards. Lampholders are UL and CSA recognized.

The QRX-T (Trio) Three Way Combination Lampholder fits G-4, G-5.3, and G-6.35 lamp bases.

**Features:**

- Ratings:** Volts 24  
Amps 6  
Temp 180°C (on socket parts)
- Lead Wire:** 180°C Silicon Glass SF1  
18 ga. SF-1
- Construction:** Steatite Body  
Nickel Plated Brass Contacts  
Stainless Steel Contact Spring



QRX-T