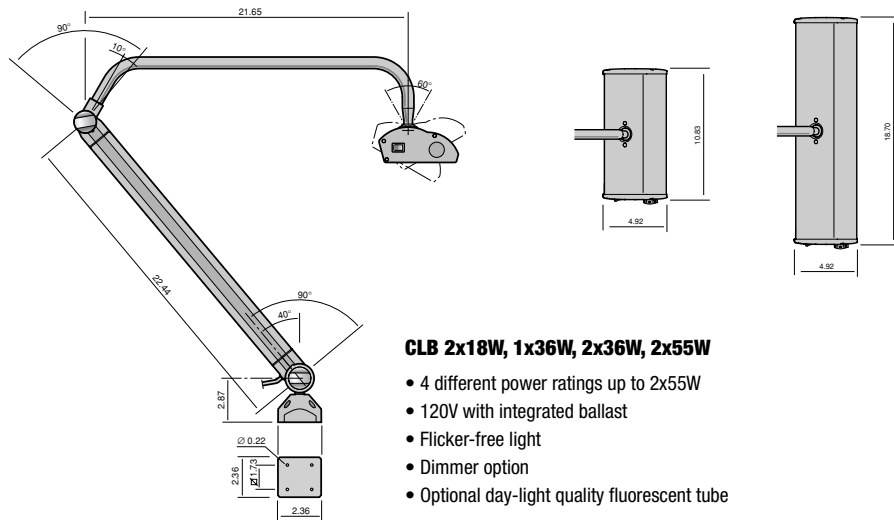


Universal and bench lighting

Sunnex CLB 2x18W, 1x36W, 2x36W, 2x55W

The Sunnex CLB is a series of universal, robust, user-friendly bench lighting, equipped with the latest technology.

The lamp head is manufactured of anodized aluminum and equipped with compact fluorescent tubes with power ratings up to 2x55W. The Sunnex CLB can be equipped with flicker-free lighting (HF ballast), dimmer (100-1%) and daylight fluorescent tube for the best visual ergonomics.



CLB 2x18W, 1x36W, 2x36W, 2x55W

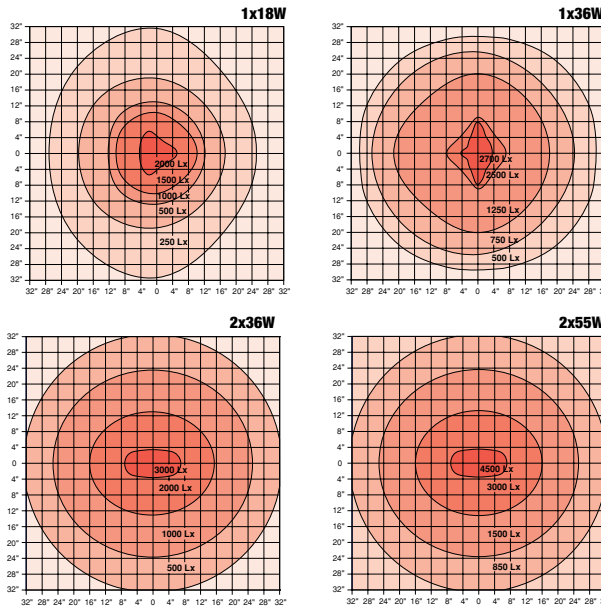
- 4 different power ratings up to 2x55W
- 120V with integrated ballast
- Flicker-free light
- Dimmer option
- Optional day-light quality fluorescent tube

Application areas

Sunnex CLB is easy to focus, and the spring-loaded self balanced joints ensure that the lamp stays in place, even when the environment is rough and demanding.

Applications for the Sunnex CLB include all types of assembly, inspection, and manufacturing work areas.

Light strength/Lux – Sunnex CLB



Hi-Tech lamps

800-229-6509

info@hi-techlamps.com

Manufacturer:



Sunnex Inc.

3 Huron Drive, Natick, MA 01760-1314

Tel: (508) 651-0009 Fax: (508) 651-0099

E-mail: sunnex@sunnex.com Internet: www.sunnexonline.com

	Lamp head	Lamp power	Miscellaneous
■ CLB	11"	1x36W	Flicker-free - Daylight tube
		2x18W	Flicker-free - Daylight tube
			Flicker-free - Dimmer - Daylight tube
	19"	2x36W	Flicker-free - Daylight tube
	23"	2x55W	Flicker-free
			Flicker-free - Dimmer
			Flicker-free - Daylight tube
			Flicker-free - Daylight tube - Dimmer

PRODUCT INFORMATION

Sunnex CLB is sold in standard design by Sunnex Inc. All Sunnex lighting is delivered standard with a screw clamp mounting. Should you wish to have any other type of mounting, please see the brochure Sunnex Workplace Lighting – Technical Documentation, contact your dealer or call Sunnex Inc. directly. To avoid injury, all assembly and mounting should be performed by authorized personnel with the necessary knowledge about the product, its installation and the user environment. We reserve the right to make changes to components and designs. This datasheet replaces all previous issues.

 Sunnex CLB

Universal and bench lighting



Hi-Tech lamps

800-229-6509

info@hi-techlamps.com

 **sunnex**[®]